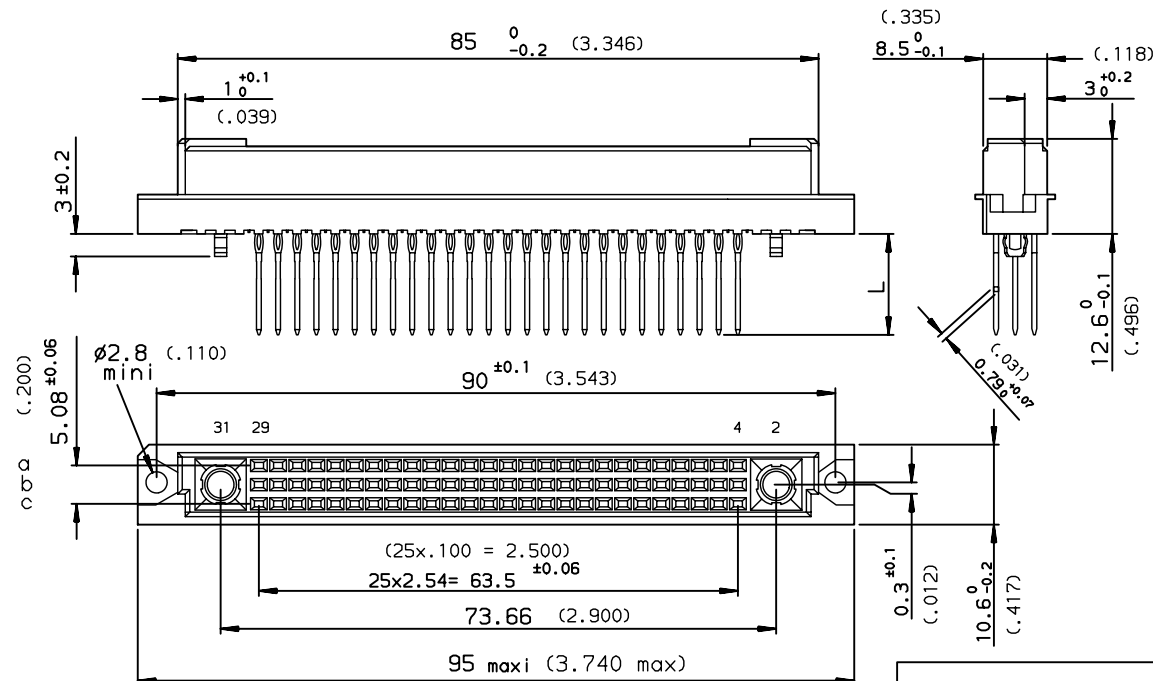


**DIMENSIONS** mm (inches)



**ELECTRICAL DATA** (for signal contacts)

- Current at AMB. 1.5 A at 20° C / 1 A at 70° C
- I max 2A
- Contact resistance <20ma according to DIN 41640 Teil 4 test 2a
- Insulation resistance >10<sup>9</sup>Ma according to DIN 41640 teil 7 test 3a
- TEST VOLTAGE according to DIN 41640 teil 21
- contact/contact 1000V eff (0.5 mA / 50 Hz)
- contact/ground 1550V eff (0.5 mA / 50 Hz)
- Press Fit termination resistance < 1 mΩ

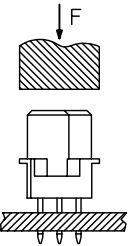
**MECHANICAL DATA** (for signal contacts)

- Mating force 78 Cts : <73N (16.5 Lb) / 52 Cts : <49N (11 Lb)
- Unmating force 78 Cts : >12N (2.7 Lb) / 52 Cts : >8N (1.8 Lb)
- Mechanical endurance class 1 500 matings unmatings according to DIN41640 teil 21
- class 2 400
- class 3 50
- Press in insertion force per pin 180 N (40.7 Lb) max / 75 N (17 Lb) standard
- Material insulator Polyester thermoplastic UL94V0
- Material contacts Phosphor bronze
- Finishing contact surface Gold over Nickel
- Finishing termination Tin Lead
- Shock <40ma according to DIN 41640 Teil 14 test 6c
- Vibration class 1 10-2000Hz/20g according to DIN 41640 Teil 15
- class 2 10-500Hz/5g
- Backpanel or PCB thickness: 1.6 , 2.4 or 3.2 mm

**ENVIRONMENTAL DATA**

- Climatic category According to DIN 41612
- Corrosion According to DIN 41612

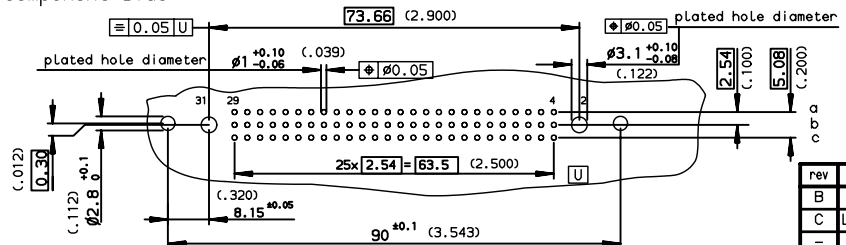
METHOD OF INSERTION ON THE PCB = FLAT ROCK



PERFORMANCES AS PER DIN 41612

PART NUMBER	8609			BP		7		5	000	E3
PIN OUT										
rows a-b-c						3				78
rows a-c						4				52
NUMBER OF CONTACTS										
TERMINATION										
L = 13.10 ± 0.20 (.515)						1 wrap				91
L = 17.10 ± 0.20 (.673)						2 wraps				92
L = 3.00 ± 0.20 (.118)						short post				94
PERFORMANCE CLASS										
DIN 41612 class 3										6
DIN 41612 class 2										5
DIN 41612 class 1										4

PCB DRILLING component side



rev	ecn no	dr	date
B	-	HLE	1997/05/11
C	LS07-0130	HLE	2007/05/22
-	-	-	-
-	-	-	-
-	-	-	-
-	-	-	-

www.fciconnect.com

surface ISO 1302 ✓ tolerance std ISO 406 ISO 1101 projection mm

TOLERANCES UNLESS OTHERWISE SPECIFIED

ANGULAR	LINEAR	0.X	±0.1	size A3	Scale 1.5
0.XX		0.XX	±0.1		
0.XXX	±2'	0.XXX	±0.1	ECN LS07-0130	

Product family DIN Spec ref -

**FCj** title STRAIGHT FEMALE STYLE M

press FIT

catalog no -

dwg no C-8609-0525

Rev. C

CUSTOMER sheet 1 of 1

REV F - 2006-04-17